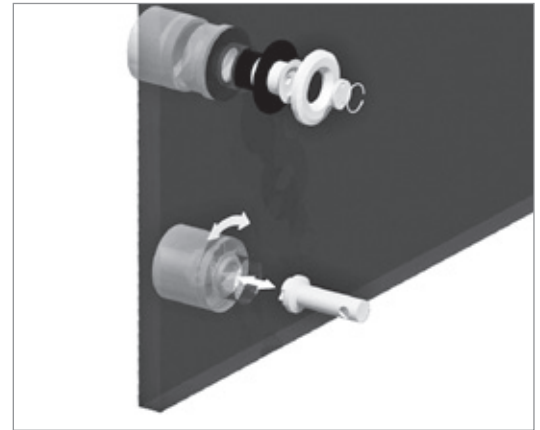
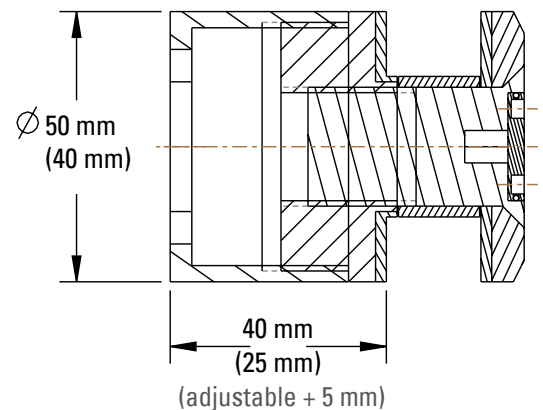


# Point fixture for vertical glass panels



- ▶ Easy installation and fixing of the glass
- ▶ Adjustment of distance is possible after the glass has been mounted
- ▶ Sturdy design in accordance with EN 1991-1-1 norms
- ▶ High precision and finishing quality
- ▶ Possibility of customized versions



## Point fixture 50 mm

for tempered and laminated safety glass · adjustable mounting distance glass/wall 0-5 mm · use at least 4 pieces depending on glass dimensions

Features	BO 52 140 26	BO 52 140 27	BO 52 140 28	BO 52 140 29	BO 52 140 34	BO 52 140 35
Drilled hole	30 mm	30 mm	30 mm	30 mm	30 mm	30 mm
Mounting distance glass/wall	25 mm	40 mm	25 mm	40 mm	25 mm	25 mm
Glass thickness	temp. glass 10-12 mm lamin. safety glass 11-13 mm	temp. glass 10-19 mm lamin. safety glass 11-21 mm	temp. glass 10-12 mm lamin. safety glass 11-13 mm	temp. glass 10-19 mm lamin. safety glass 11-21 mm	temp. glass 15-19 mm lamin. safety glass 17-21 mm	temp. glass 15-19 mm lamin. safety glass 17-21 mm
Stainless steel	AISI 304	AISI 304	AISI 316	AISI 316	AISI 304	AISI 316
Max. load bearing capacity	Q: 4,0 kN N: 6,0 kN	Q: 3,5 kN N: 5,0 kN	Q: 4,0 kN N: 6,0 kN	Q: 3,5 kN N: 5,0 kN	Q: 4,0 kN N: 6,0 kN	Q: 4,0 kN N: 6,0 kN

## Point fixture 40 mm

for tempered and laminated safety glass · adjustable mounting distance glass/wall 0-5 mm · use at least 4 pieces depending on glass dimensions

Features	BO 52 140 30	BO 52 140 31	BO 52 140 32	BO 52 140 33	BO 52 140 36	BO 52 140 37
Drilled hole	25 mm	25 mm	25 mm	25 mm	25 mm	25 mm
Mounting distance glass/wall	25 mm	40 mm	25 mm	40 mm	25 mm	25 mm
Glass thickness	temp. glass 10-12 mm lamin. safety glass 11-13 mm	temp. glass 10-19 mm lamin. safety glass 11-21 mm	temp. glass 10-12 mm lamin. safety glass 11-13 mm	temp. glass 10-19 mm lamin. safety glass 11-21 mm	temp. glass 15-19 mm lamin. safety glass 17-21 mm	temp. glass 15-19 mm lamin. safety glass 17-21 mm
Stainless steel	AISI 304	AISI 304	AISI 316	AISI 316	AISI 304	AISI 316
Max. load bearing capacity	Q: 3,5 kN N: 5,5 kN	Q: 3,0 kN N: 4,5 kN	Q: 3,5 kN N: 5,5 kN	Q: 3,0 kN N: 4,5 kN	Q: 3,5 kN N: 5,5 kN	Q: 3,5 kN N: 5,5 kN